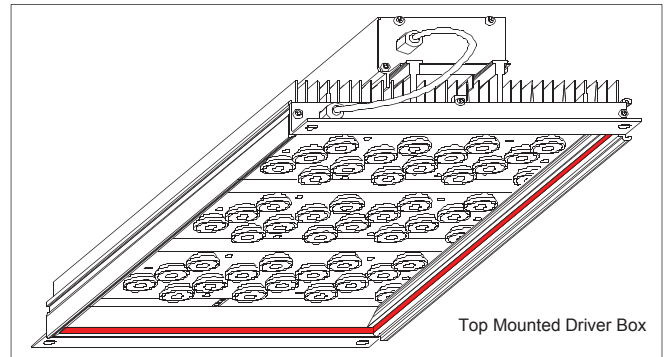


Product Applications

Wide variety of commercial and industrial settings such as warehouses, manufacturing and food processing plants, cold storage, gymnasiums, transportation terminals, and canopy. This fixture is wet & damp location listed.

Technical Specifications	
Lamp Type	LED , Cree XP-G LM-80 Tested
Wattage	126 Watts (3 Boards)
Input Voltage	100-277 Volts, 480 Volts Optional
Rated Life	60,500 Hours
Operating Temperature	-77°F to +185°F / -25°C to +85°C
Fixture Body	Brush Aluminum Finish
LED Lens	25°, 56°, 120°, 44"x23"
Occupancy Sensor	Optional, 40 foot range
Sensor Choices	On/Off, On/10% On
Weight	12 lbs
Dimensions	22 ½ "x10 5/8"x5 ¼"
LED Protective Lens	3/16 " Acrylic
Driver Options	On Fixture Top or Remote
Warranty	3 Year Limited Warranty

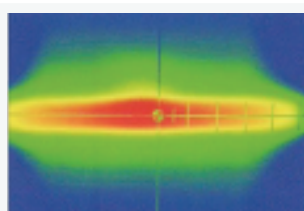


Photometric Information	
Initial Lumens	12,160
Lumens at 60,500 hours	8,512
Mean Lumens	10,336
LED Efficiency (Lm/W)	98.2
Color Temperature (K)	5,000

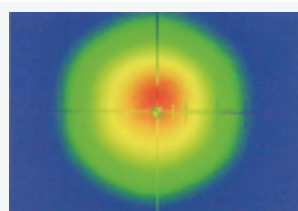


WET & DAMP LOCATION LISTED

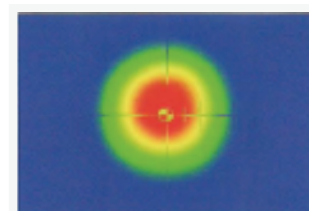
Light Distribution



Aisle Lighting (A)



General Lighting (G)



Work Areas Task Lighting (W)



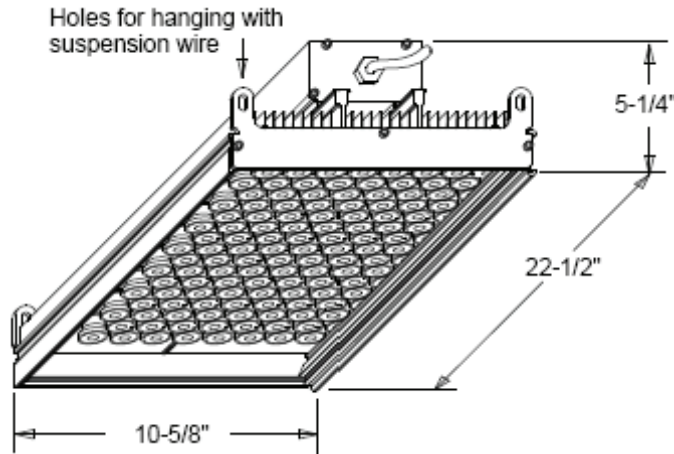
**PATENT
PENDING**



Driver Location**

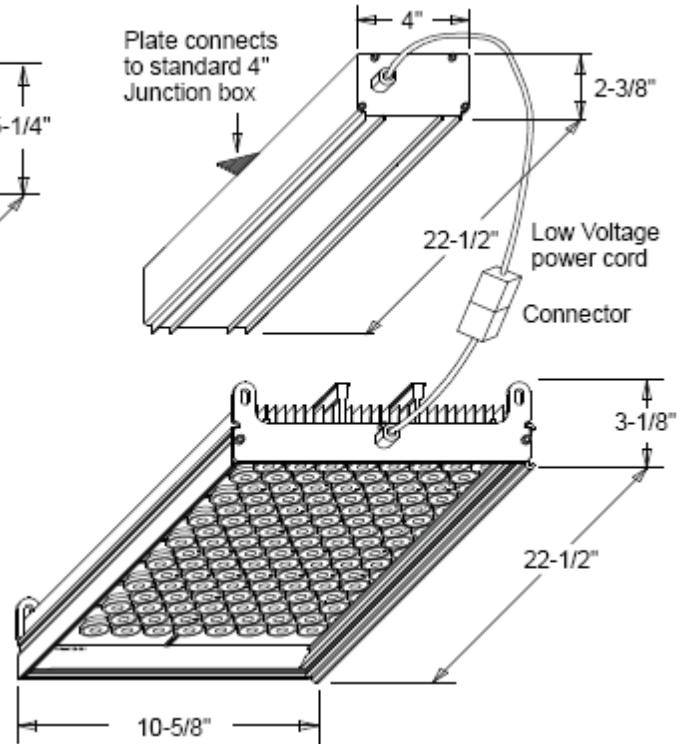
Top Mounted Driver Box

AD - Attached



Remote Mounted Driver Box

RD - Remote



Ordering Guide (Example)



Type Prefex

- MLED - MIROR LED HI-BAY

Number of Boards

- 1 - 1 Board
- 2 - 2 Boards
- 3 - 3 Boards
- 4 - 4 Boards
- 6 - 6 Boards

Driver Location**

- TM - Top Mounted
- RJ - Remote w/ J-Box
- RC - Remote w/ 6ft Cord
- TMW - Outdoor/Wet Top Mounted
- RJW - Outdoor/Wet Remote w/ J-Box
- RCW - Outdoor/Wet Remote w/ 6ft Cord

Lens Distribution

- A - Aisle Lighting
- G - General Lighting
- W - Work Lighting

Voltage

- UNV - 120V to 277V

Options

- GR10 - 10' Hanger
- DIM - Dimmer of 10%
- HUB - Rigid Conduit Mounting
- SEN - ON/OFF Sensor
- 480V - 480 Voltage
- 6C - 6ft Black Cord
- 8C - 8ft Black Cord
- 10C - 10ft Black Cord
- 15C - 15ft Black Cord
- 15SP120V - 15AMP 120V Straight Blade Plug
- 15TP120V - 15AMP 120V Twistlock Plug
- 20TP120V - 20AMP 120V Twistlock Plug
- 20TP480V - 20AMP 480V Twistlock Plug

